

ABB micro drives ACS250 IP66/NEMA 4X for harsh environments



ACS250+B063+F278



ACS250+B063

ABB micro drive ACS250 with IP66/NEMA 4X enclosure is designed for applications such as; screws, mixers, pumps, fans and conveyors, which are installed in harsh environments containing dust, moisture and cleaning chemicals. The drive's design and ease of setup benefit a broad range of industries.



Hygienic protection

The drive was designed with bacteria resistant materials, meeting stringent hygiene requirements. The integrated keypad provides straightforward drive commissioning and maintenance in extreme environments. The drive's sealed ABS enclosure and corrosion resistant heat sink are ideal for wash-down applications.

Key features

- Built-in macros and only the essential parameters make commissioning straightforward
- Can be mounted directly on processing equipment installed in extreme environments
- Conduit cable entry
- Intuitive keypad control
- +F278 operator controls option includes: Input disconnect, FWD/OFF/REV selector, and Speed potentiometer

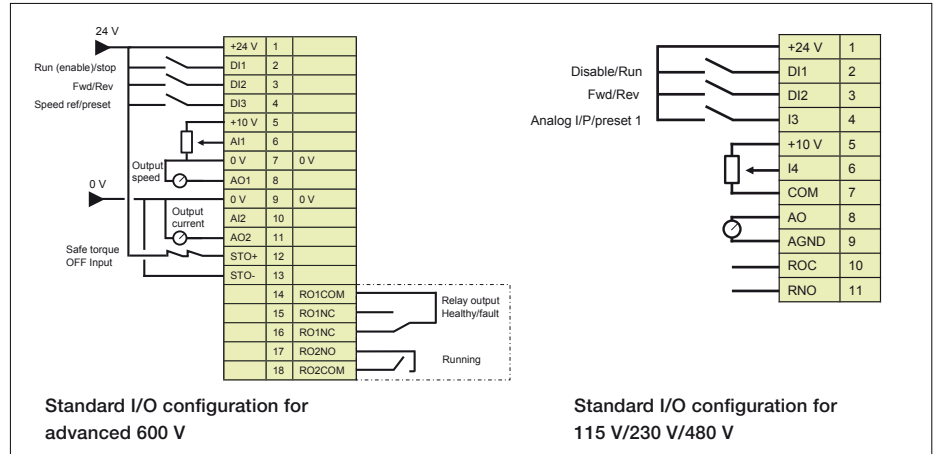
- IP66/NEMA 4X dust and water proof design
- Designed for wash-down applications
- Specially coated corrosion resistant heat sink
- No external cooling fans to replace
- Modbus RTU fieldbus as standard
- Built-in brake chopper (except frame E1)

Part of ABB micro drives portfolio

The ACS250 drive is part of ABB's complete micro drive range, which offers a solution for every need:

- Drives for simple to more complex machines
- Full voltage range from 110 to 600 V
- Enclosures IP20 and IP66
- Power range from 0.5 to 20 hp

Standard I/O configurations



Output ratings			Type designation	Frame size	Braking chopper	Height mm	Width mm	Depth mm	Weight kg
$P_{N,HD}$ kW	$P_{N,HD}$ hp	I_{2N} A							
1-phase AC supply, 110 to 120 V									
0.37	0.5	2.3	ACS250-01U-02A3-1+B063(+F278)	E1	-	232	161	175	2.8
0.75	1	4.3	ACS250-01U-04A3-1+B063(+F278)	E1	-	232	161	175	2.8
1.1	1.5	5.8	ACS250-01U-05A8-1+B063(+F278)	E2	x	257	188	187	4.1
1-phase AC supply, 200 to 240 V									
0.37	0.5	2.3	ACS250-01U-02A3-2+B063(+F278)	E1	-	232	161	175	2.8
0.75	1	4.3	ACS250-01U-04A3-2+B063(+F278)	E1	-	232	161	175	2.8
1.5	2	7.0	ACS250-01U-07A0-2+B063(+F278)	E1	-	232	161	175	2.8
2.2	3	10.5	ACS250-01U-10A5-2+B063(+F278)	E2	x	257	188	187	4.1
3-phase AC supply, 200 to 240 V									
0.37	0.5	2.3	ACS250-03U-02A3-2+B063(+F278)	E1	-	232	161	175	2.8
0.75	1	4.3	ACS250-03U-04A3-2+B063(+F278)	E1	-	232	161	175	2.8
1.5	2	7.0	ACS250-03U-07A0-2+B063(+F278)	E2	x	257	188	187	4.1
2.2	3	10.5	ACS250-03U-10A5-2+B063(+F278)	E2	x	257	188	187	4.1
4.0	5	18.0	ACS250-03U-18A0-2+B063(+F278)	E3	x	310	210.5	229	7.6
3-phase AC supply, 380 to 480 V									
0.75	1	2.2	ACS250-03U-02A2-4+B063(+F278)	E1	-	232	161	175	2.8
1.5	2	4.1	ACS250-03U-04A1-4+B063(+F278)	E1	-	232	161	175	2.8
2.2	3	5.8	ACS250-03U-05A8-4+B063(+F278)	E2	x	257	188	187	4.1
4.0	5	9.5	ACS250-03U-09A5-4+B063(+F278)	E2	x	257	188	187	4.1
5.5	7.5	14.0	ACS250-03U-14A0-4+B063(+F278)	E3	x	310	210.5	229	7.6
7.5	10	18.0	ACS250-03U-18A0-4+B063(+F278)	E3	x	310	210.5	229	7.6
3-phase AC supply, 500 to 600 V									
0.75	1	1.7	ACS250-03U-02A1-6+B063(+F278)	P2	x	257	188	239.5	4.8
1.5	2	3.1	ACS250-03U-03A1-6+B063(+F278)	P2	x	257	188	239.5	4.8
2.2	3	4.1	ACS250-03U-04A1-6+B063(+F278)	P2	x	257	188	239.5	4.8
4.0	5	5.8	ACS250-03U-06A5-6+B063(+F278)	P2	x	257	188	239.5	4.8
5.5	7.5	9.0	ACS250-03U-09A0-6+B063(+F278)	P2	x	257	188	239.5	4.8
7.5	10	14.0	ACS250-03U-12A0-6+B063(+F278)	P3	x	310	211	251.5	7.3
11	15	18.0	ACS250-03U-17A0-6+B063(+F278)	P3	x	310	211	251.5	7.3

For more information please contact your local ABB representative or visit:

www.abb.com/drives
www.abb.com/drivespartners

U within the type code = EMC disconnected.
 +B063 = IP66/UL TYPE 4X enclosure without input disconnect.
 +B063+F278 = IP66/UL TYPE 4X enclosure with input disconnect and operator controls.