

TCS3000 and 3020 Series Toroidal Conductivity Sensors



Resists coating, corrosion and fouling

Durable Noryl construction

Easy installation

Custom tee for in-line mounting

Connects to Sensorex TCSMA, TCSTX, Rosemount or Foxboro Instrumentation

The Sensorex TCS series toroidal inductive conductivity sensors features a wide measurement range and dependable toroidal technology over the range 0-2000. Resistant to corrosion, coatings and fouling common to contacting conductivity sensors, the TCS series is designed for a trouble free and long service life.

Noryl is the standard material of construction and has a wide solvent tolerance and temperature stability to 105 degrees C^{***}. Optional PEEK models will be available in the future. All models can be submersed by utilizing the 3/4" MNPT threads on the sensor or installed in 2" NPT tees for in-line deployment. ATC element is user specified and built into the TCS sensor. All TCS sensor models are supplied with 20ft long 9-conductor cable. Custom lengths are available. Please contact Sensorex for pricing.

Choose the TCS3020 for use with a Sensorex TCSMA or TCSTX toroidal transmitter. TCS3000 sensors can be connected to many toroidal controllers and transmitter manufactured by Rosemount, Foxboro or others.

Specifications

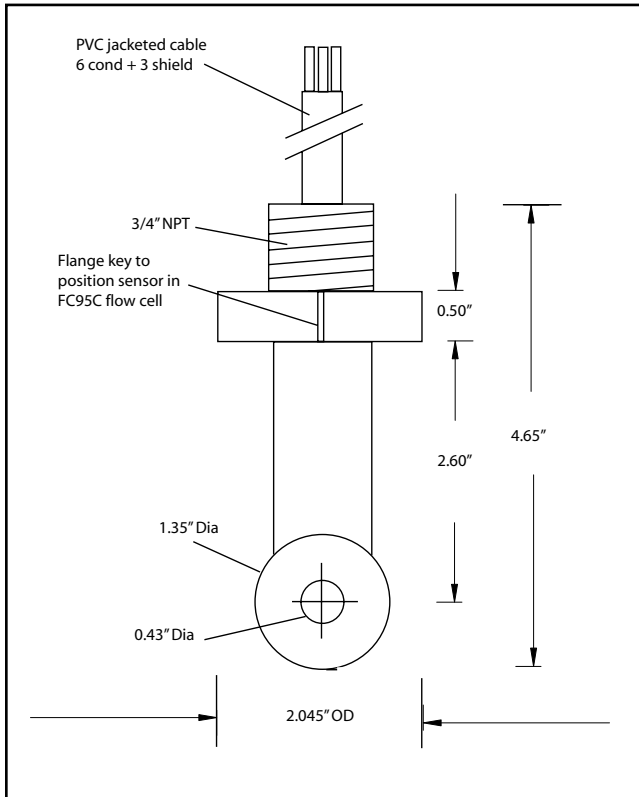
Measuring Range	TCS3020 and TCS3000 - 0-2,000,000 uS/cm
Body Material	Noryl (Optional PEEK will be available in the future)
Max Temperature	105 Degrees C ^{***}
Max Pressure	150 psig
Temp Comp	User specified temperature elements or -P1k for TCSMA and TCSTX transmitters.
Cable Length	20 feet, 6 conductor plus shields
Process Connection	3/4" MNPT for submersion, 2" standard tee with A1001/A1002 adapter.

*****Note: 105 degrees C spec is for sensor only. If used with FC95C flow cell, maximum temperature is 80 degrees C**

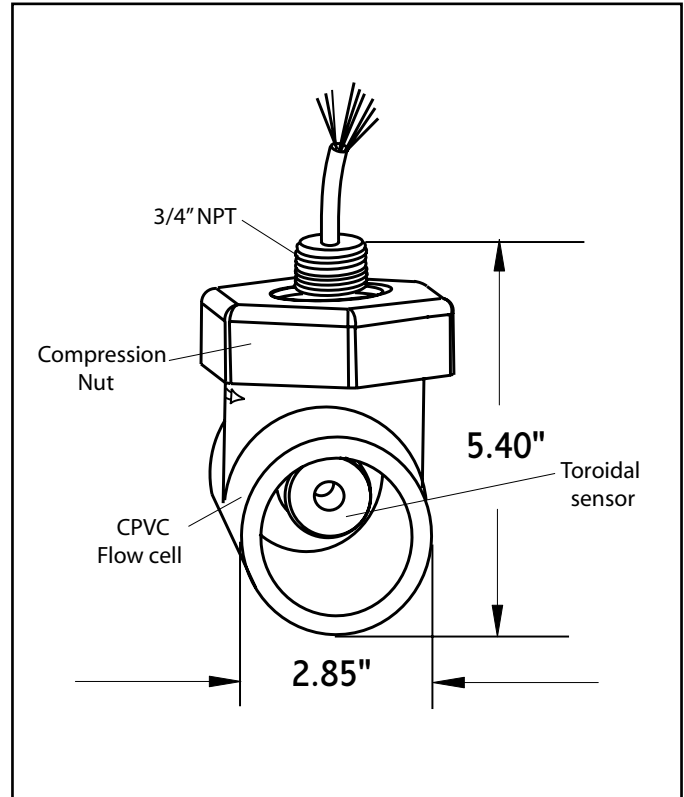
Parts covered by this product data sheet include:
TCS3000, TCS3020, FC95C

Outline and Dimensions

TCS3020



TCS3020 MOUNTED IN FC95C FLOW CELL



TCS3000 and 3020 Series Toroidal Conductivity Sensors

Ordering Information

The TCS toroidal sensors are submersion ready by utilizing the 3/4" MNPT threads on the top of the sensor. In-line installations are accomplished by ordering flow cell listed below.

Sensors

TCS3000	Noryl Toroidal Sensor (Version 3) - After 05-31-2008
---------	--

TCS3020	Noryl Toroidal Sensor with 20-30 windings
---------	---

Toroidal 2-Wire Transmitter

TCSMA	2-Wire blind Toroidal Transmitter, 4-20mA (use with TCS3020 ONLY)
-------	---

TCSTX	2-Wire Autoranging Toroidal Transmitter with display, 4-20mA (use with TCS3020 ONLY)
-------	--

In-Line Flow Cell

FC95C	2" Keyed slip fit flow cell (For use with Version 3 TCS3000 and TCS3020 Noryl toroidal sensors.)
-------	--

Calibration Solutions-Quarts

TDS3000	3000ppm/3900uS
---------	----------------

TDS15000	15000ppm/16630uS
----------	------------------

TDS30000	30000ppm/30100uS
----------	------------------



11751 Markon Dr.
Garden Grove, CA 92841 USA
Tel: 714-895-4344
Fax: 714-894-4839
E-mail: info@sensorex.com
www.sensorex.com