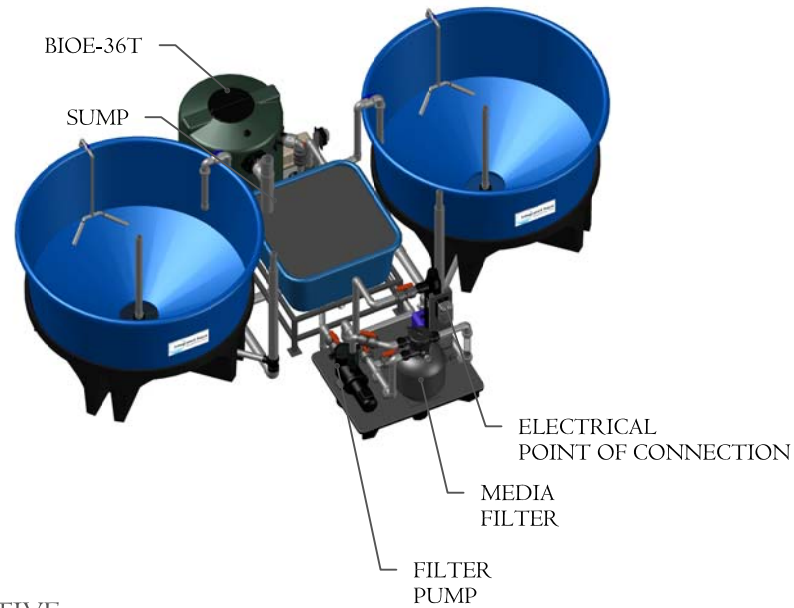


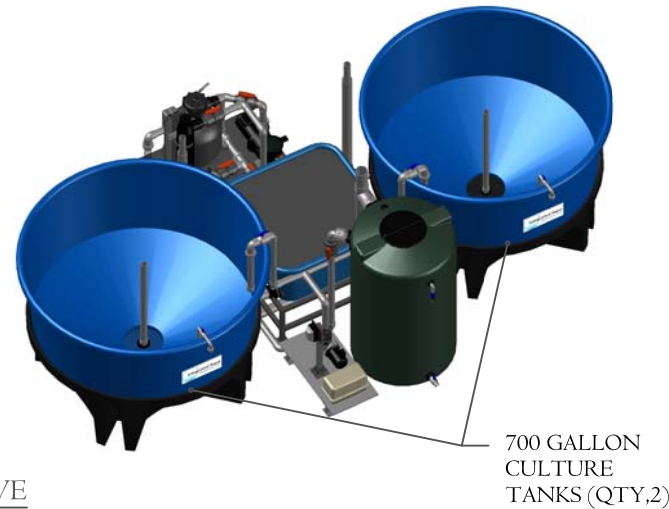
PLAN VIEW



FRONT PERSPECTIVE



ELEVATION



REAR PERSPECTIVE

PROJECT/MODEL

RAS-1500

REVISIONS

DATE	DESCRIPTION	APPROVED

OPTIONS AVAILABLE

- TEMPERATURE CONTROL
- AUTOMATIC BACKWASH
- WATER QUALITY MONITORING AND CONTROL
- FOAM FRACTIONATORS
- MULTIPLE TANK CONFIGURATION
- AIR ASSIST BACKWASH
- OZONE
- PURE OXYGEN INJECTION



This document is the sole property of Integrated Aqua Systems, Inc. for review by the intended recipient only. It is unlawful to share, distribute, or reproduce this document in any way unless permitted in writing by Integrated Aqua Systems, Inc. All rights reserved.

DWG # RAS-1500 SPEC SHEET

DATE:	12/6/2016	SCALE:	NTS
SIZE:	A	SHEET:	1/1
		DRAWN:	DS

RAS Model	Tank Volume	Flow Rate	UV dose*	Bioloading		TAN Removal (mg/L/day)**			Electrical
	(total gal)	(gpm)	(mJ/cm <sup>2</sup> )	Max Feed Rate**	Biofilter	Low	Mid	High	
RAS-1500	1400	45	30	13.7 lbs/day	BioE-36T	107	215	431	120/240-1ph

\*UV dose based on max flow rate, end of lamp 9,000 hours, 90% UVT

\*\*Max feed rate based on Mesotrophic water quality (Mid-TAN) and Standard Conditions, 25°C

\*\*\* Based on Standard Conditions: max feed rate, 25°C water, 5% makeup water per day, 60 kg/m<sup>3</sup> bioload, 2% feed rate, 40% protein feed